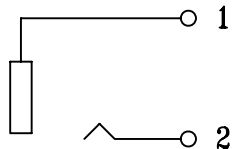
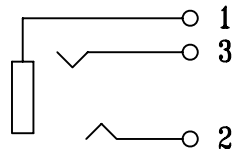


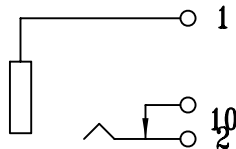
CAD FILE:



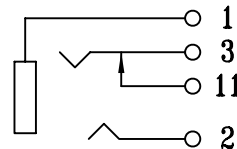
**SCHMATIC**  
ST-416-01



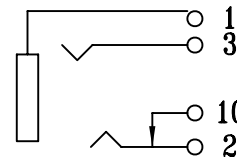
**SCHMATIC**  
ST-416-02



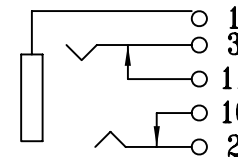
**SCHMATIC**  
ST-416-03



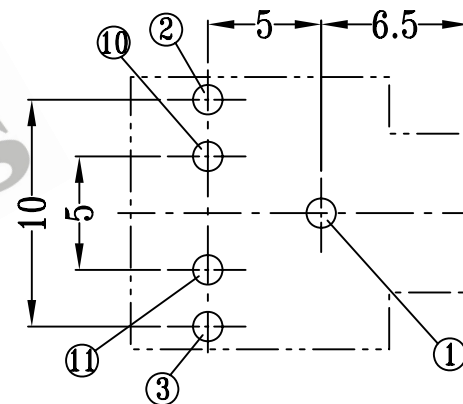
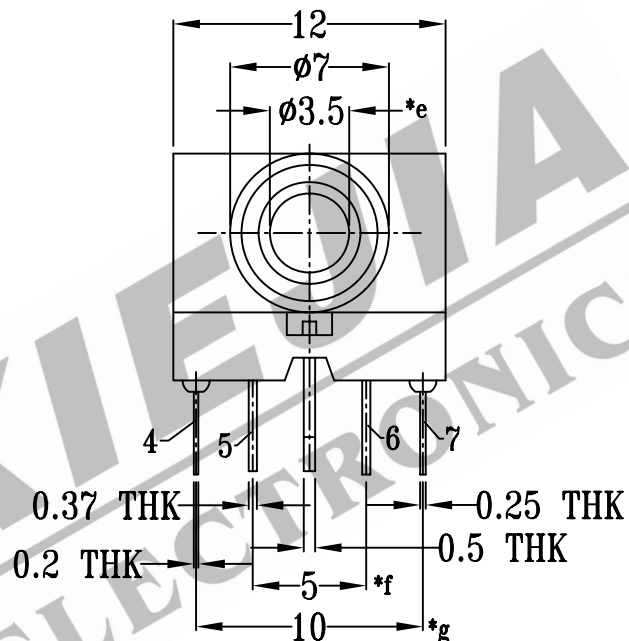
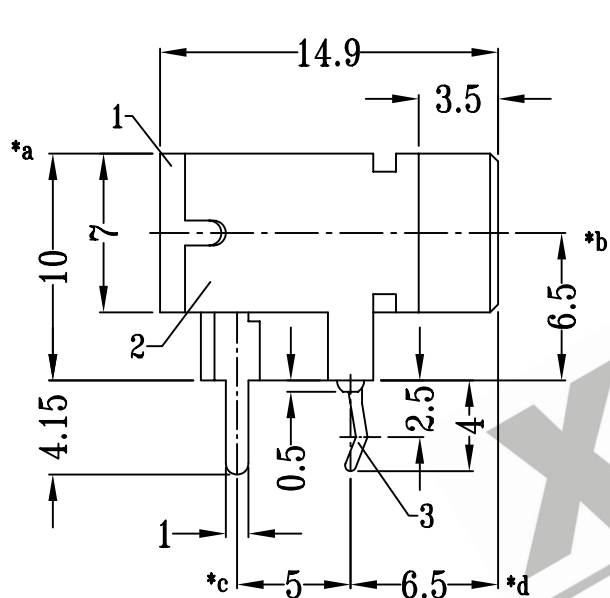
**SCHMATIC**  
ST-416-04



**SCHMATIC**  
ST-416-05



**SCHMATIC**  
ST-416-06



**P.C.B LAYOUT**

注:带\*表示关键尺寸(7个)

8					TOLERANCE UNLESS SPECIFIED	SHENZHEN XIEJIA ELECTRONICS CO.,LTD.				
7	SPRING TERMINAL B	STAINLESS STEEL	1	Ag PLATED OVER Ni PLATED	WITHIN: 1.5±0.1mm OVER: 1.5±0.2mm	ISSUE	DATE	DESCRIPTIONS OF REVISION		APPD.
6	TERMINAL C	BRASS STRIP	1	Ag PLATED OVER Ni PLATED		TITLE : PHONE JACK	UNIT : mm	DRWG NO.: XJ-DR-ST416-00		
5	TERMINAL B	BRASS STRIP	1	Ag PLATED OVER Ni PLATED	MODEL: ST-416-01~ST-416-06	SCALE: 3:1	DWN.	ZHOUYU	2001-7-9	
4	SPRING TERMINAL A	STAINLESS STEEL	1	Ag PLATED OVER Ni PLATED	ALL MATERIALS MUST BE COMPLIANT TO ROHS		CHK'D	FANGYING	2001-7-9	
3	TERMINAL A	BRASS STRIP	1	Ag PLATED OVER Ni PLATED			APPD.	KANGXINAN	2001-7-9	
2	CASE	PBT	1	BLACK						
1	COVER	POM	1	BLACK						
NO.	PARTS	MATERIALS	Q'TY	FINISH						